

ASSEMBLY INSTRUCTIONS

1
11

MODEL : CK 9907

PRODUCT SIZE : 920mm x 1930mm

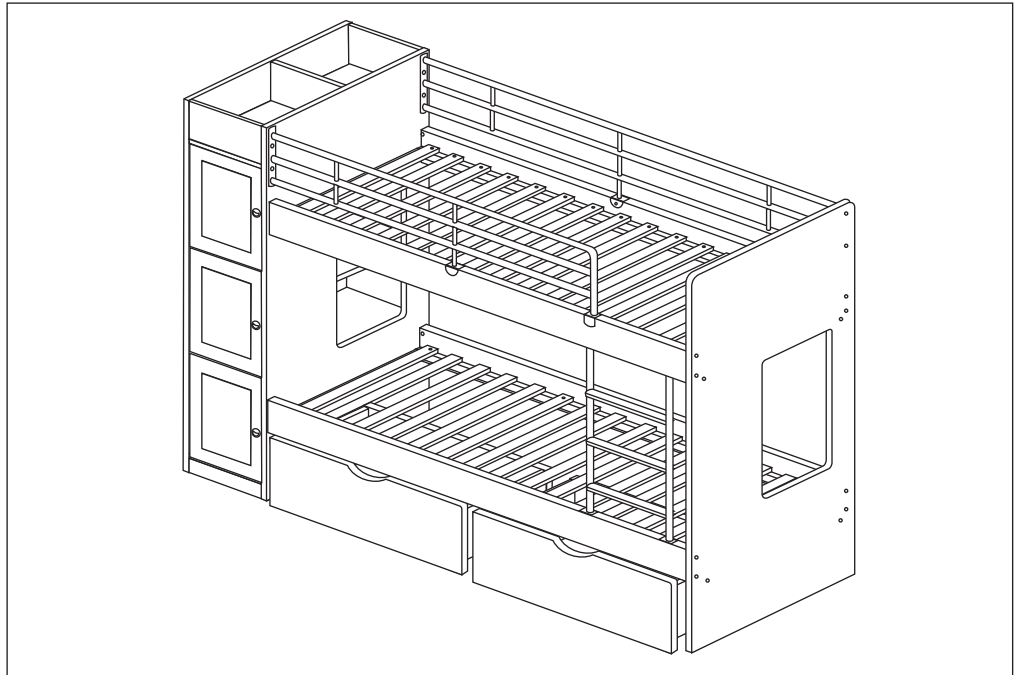
Thank you for purchasing this product. Before starting assembly we suggest you spend a short time reading through this leaflet, then follow the simple step by step guide.
Two persons are needed to assemble this product.



* Approximately 2 Hour



* 2 People Required



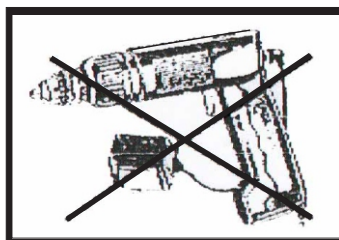
IMPORTANT INFORMATION

1. Thickness of mattress should not exceed 200mm.
2. Children should be discouraged from playing on this bunk bed.
3. The bunk bed should be checked periodically by the owner to ensure that the guardrail, ladder and other components are maintained in the correct position and state of repair and that all connectors are tight.
4. A bunk bed is not to be placed near a ceiling fan unless the distance between the closest points on the ceiling fan and bunk bed is at least 2 metres.
5. Use guardrails on both sides of upper bunk.
6. Prohibit horseplay on or under bed(s).
7. Prohibit more than one person on upper bunk.
8. Use ladder for entering and leaving upper bunk.
9. If the bunk bed will be placed next to the wall, the guardrail that runs the full length of the bed should be placed against the wall to prevent entrapment between the bed and the wall.

STRANGULATION HAZARD:

10. Never attach or hang items to any part of the bunk bed that are not designed for use with the bed for example, but not limited to hook, belt, and jump ropes.

Tools Required For Assembly



DO NOT USE POWER TOOLS TO ASSEMBLE THIS PRODUCT. USE OF POWER TOOLS WILL INVALIDATE ANY CLAIM AND MAY DAMAGE THIS PRODUCT MAKING IT UNSAFE.

PARTS LIST

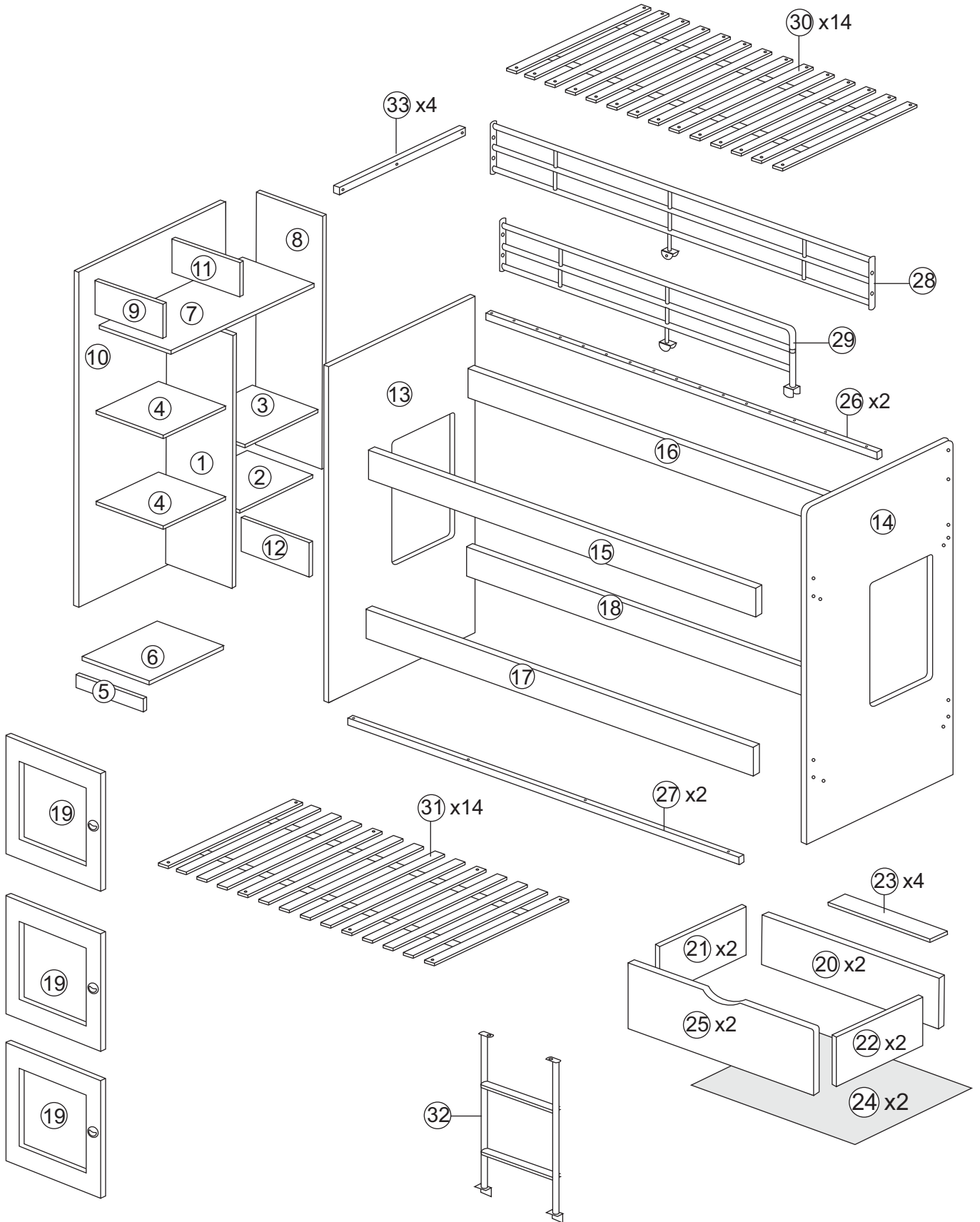
Model: CK 9907

Carton 1 of 3			Carton 3 of 3		
No.	Part Name	Pcs	No.	Part Name	Pcs
⑮	Front Side Panel (Upper)	1	①	Center Panel	1
⑯	Rear Side Panel (Upper)	1	②	Bottom Support Panel	1
⑰	Front Side Panel (Lower)	1	③	Upper Support Panel	1
⑱	Rear Side Panel (Lower)	1	④	Shelf Panel	2
⑳	Metal Support Rail (Upper)	2	⑤	Plinth Panel	1
㉑	Metal Support Rail (Lower)	2	⑥	Bottom Panel	1
㉒	Guardrail (Long)	1	⑦	Top Panel	1
㉓	Guardrail (Short)	1	⑧	Back Panel	1
㉔	LVL Slat Base (Upper)	14	⑨	Support Panel	1
㉕	LVL Salt Base (Lower)	14	⑩	Support Panel	1
㉖	Ladder	1	⑪	Back Bottom Panel	1
㉗	Metal Side Rail	4	⑫	Door	3
Fitting List			⑬	Back Panel (Drawer)	2
			⑭	Left Panel (Drawer)	2
			⑮	Right Panel (Drawer)	2
Carton 2 of 3			⑯	Bottom Support Panel (Drawer)	4
⑩	Left Panel	1	⑰	Bottom Panel (Drawer)	2
⑬	End Panel	1	⑱	Front Panel (Drawer)	2
⑭	Right Panel	1			

CARE AND MAINTENANCE
Avoid sharp objects
Wipe off with damp cloth
Avoid excessive force

PARTS LIST

Model: CK 9907






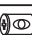


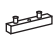


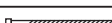










FITTING LIST

Model: CK 9907

Carton 1 of 3

Fitting List

No.	Part Name	Pcs
(A)	Cam Stud 	56
(B)	Cam 	56
(C)	45mm Wood Screw 	2
(D)	15mm Wood Screw 	42
(E)	40mm Plate White Nylon Casters 	8
(F)	M6 x 13mm Baller 	16
(G)	M6 x 50mm Allen Bolt (Silver) 	16
(H)	Hinges Arm 	6
(J)	Stopper 	2
(K)	M6 x 80mm Allen Bolt (Silver) 	8
(L)	M6 x 60mm Allen Bolt (Silver) 	3
(M)	M6 x 40mm Allen Bolt (Silver) 	17
(N)	M6 x 35mm Allen Bolt (Silver) 	7
(P)	M6 x 25mm Allen Bolt (Silver) 	36
(Q)	M6 x 15mm Allen Bolt (Silver) 	10
(R)	M6 JCN Nut (Silver) 	12
(S)	M6 Silver Washer 	3
(T)	M6 Allen Wrench 	2
(U)	Handle 	3
(V)	M8 x 25mm Wood Dowel 	86

CAUTION




There are many small components used in the construction of this unit. These loose items should be kept away from young children whilst assembling your unit. As an extra precaution, screw cover caps should be permanently fixed in position. (Where applicable)

USEFUL HINTS & TIPS

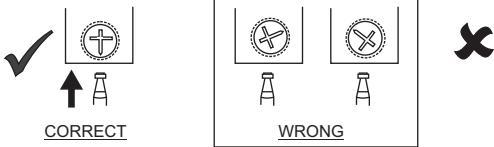
Two people will be required to assemble this unit

Please keep this assembly instruction for future reference

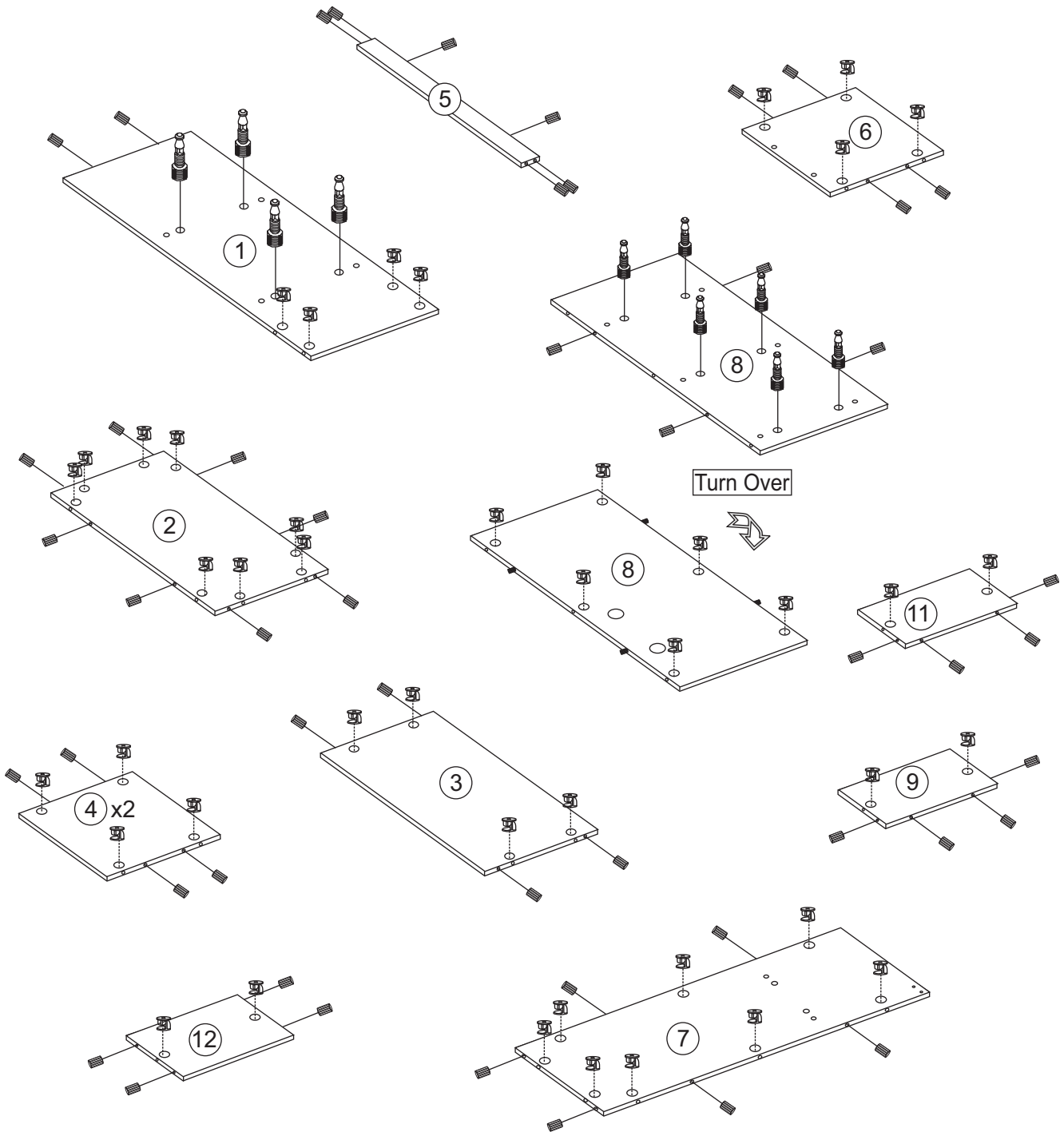
Model: CK 9907

- 1 (A)  x 10
 (B)  x 48
 (V)  x 54

WHEN FITTING CAMS
 ENSURE STARTING POSITION IS CORRECT
 BEFORE YOU INSERT CONNECTING BOLT
 TURN CLOCKWISE UNTIL SECURE






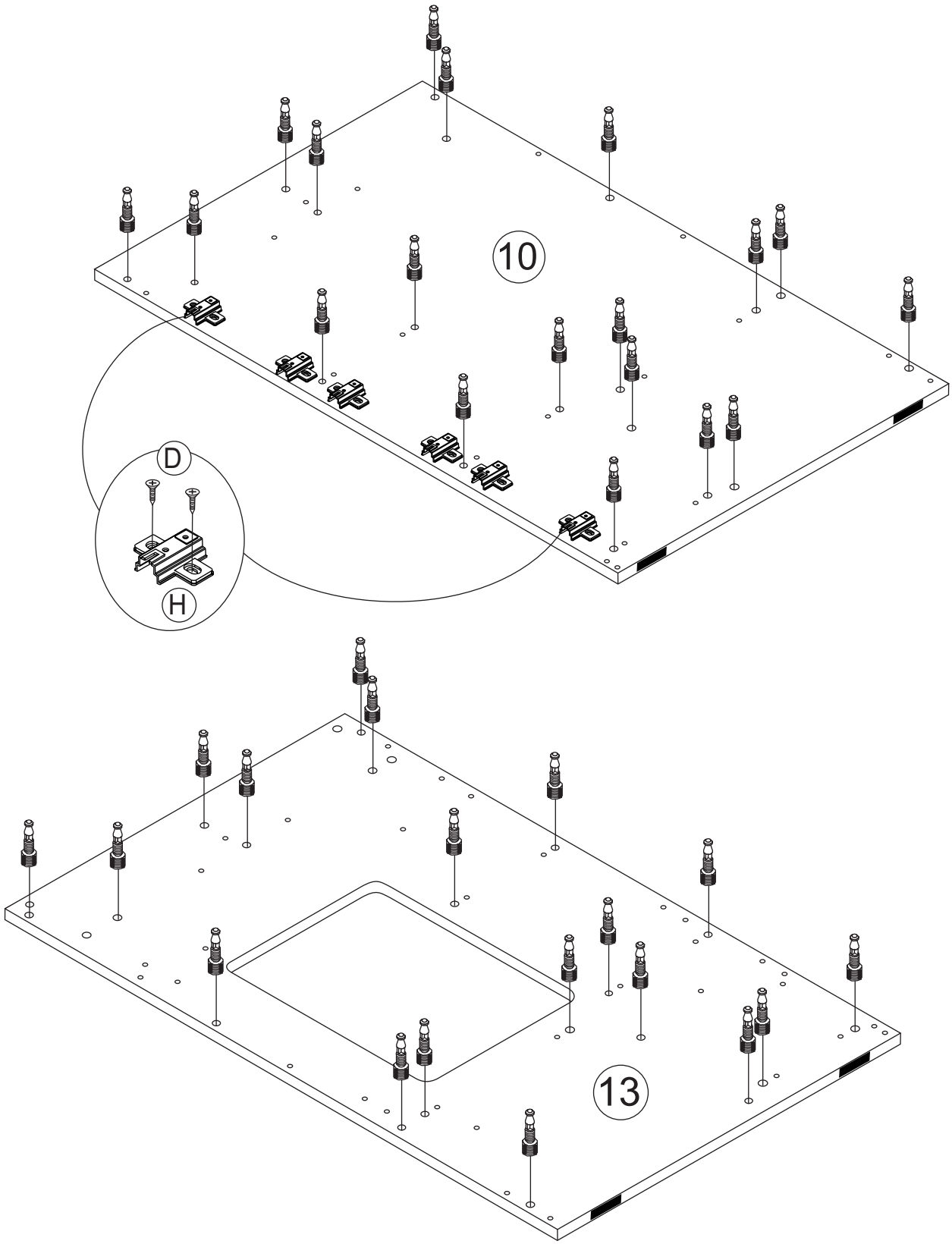
CORRECT WRONG



GUIDE TO ASSEMBLY

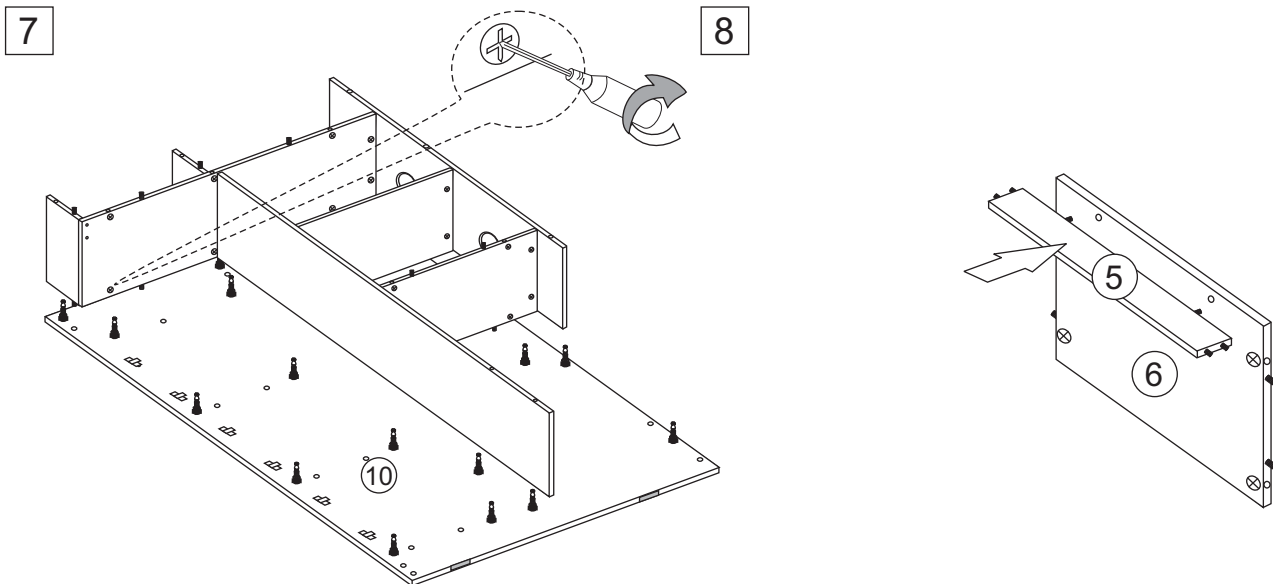
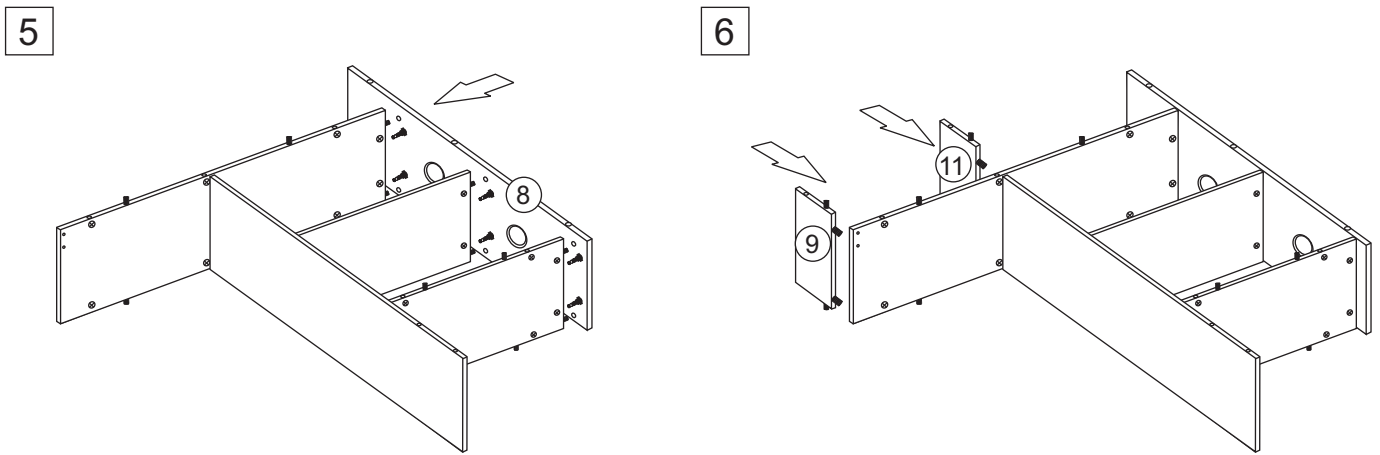
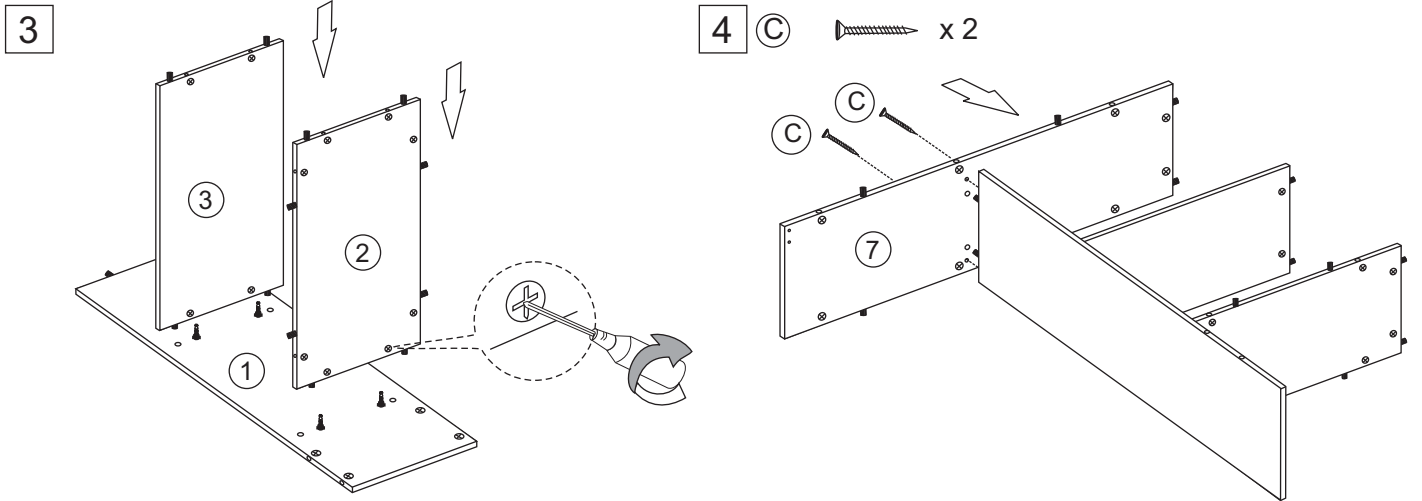
Model: CK 9907

- 2 (A)  x 38 (D)  x 12
- (H)  x 6

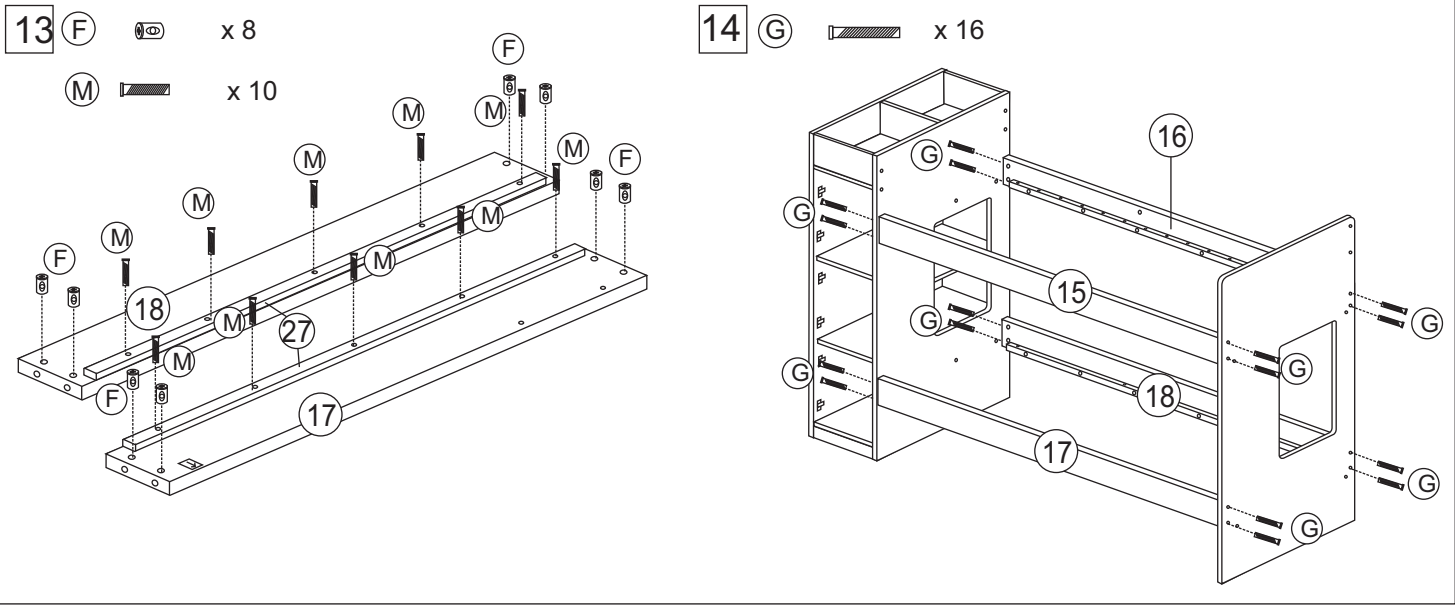
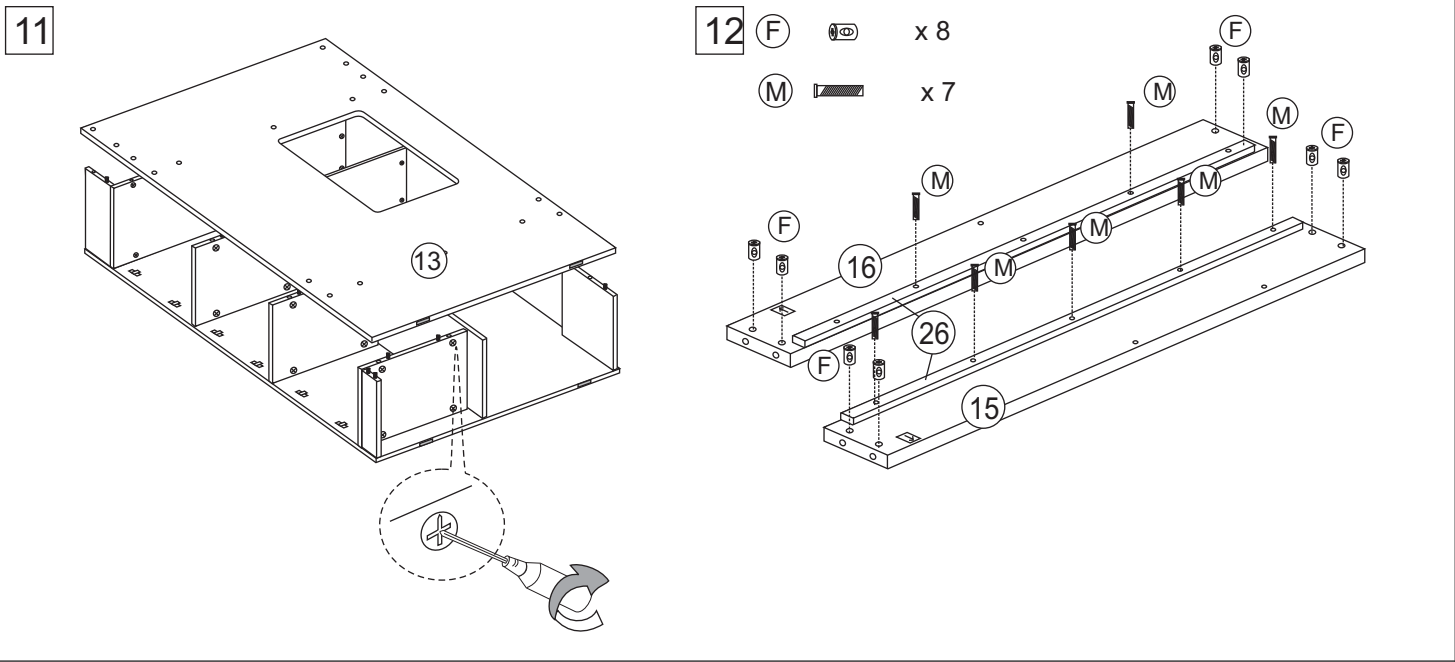
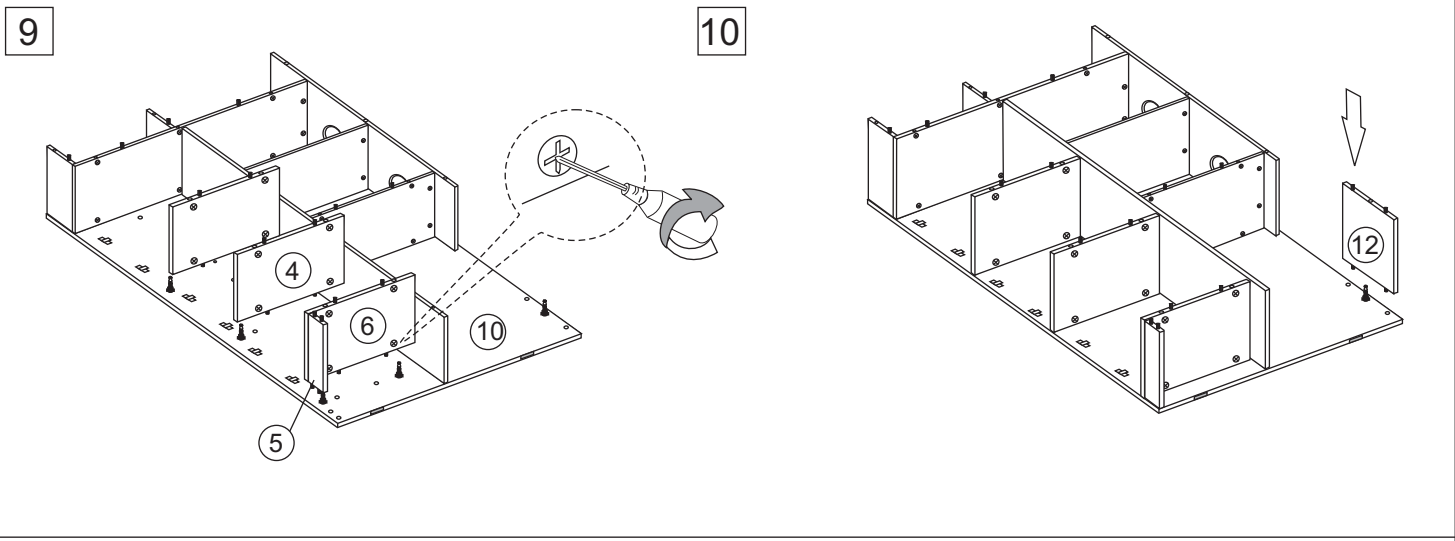


GUIDE TO ASSEMBLY

Model: CK 9907





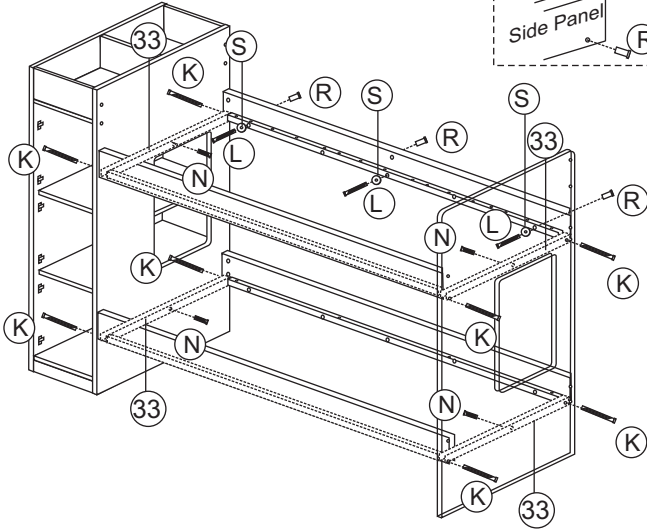
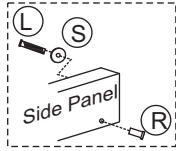
Model: CK 9907




Model: CK 9907

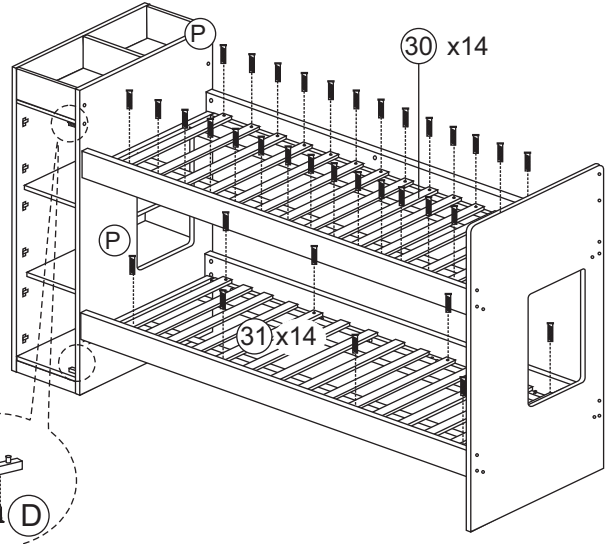
15 **K**  x 8 **N**  x 4 **S**  x 3



L  x 3 **R**  x 3



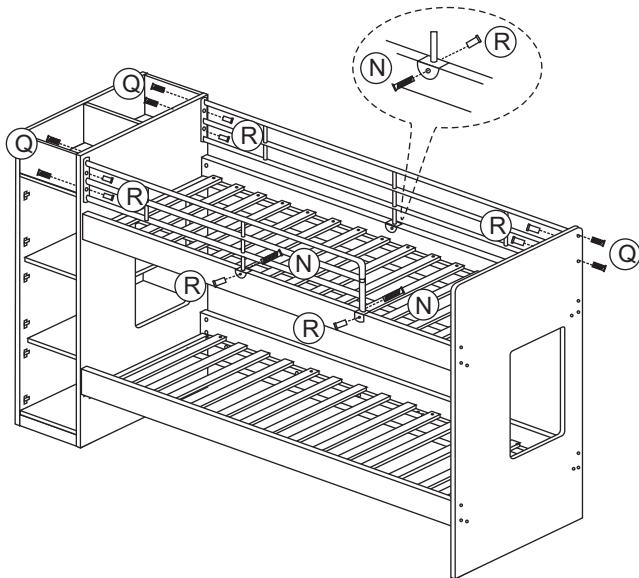
16 **P**  x 36 **D**  x 2

J  x 2

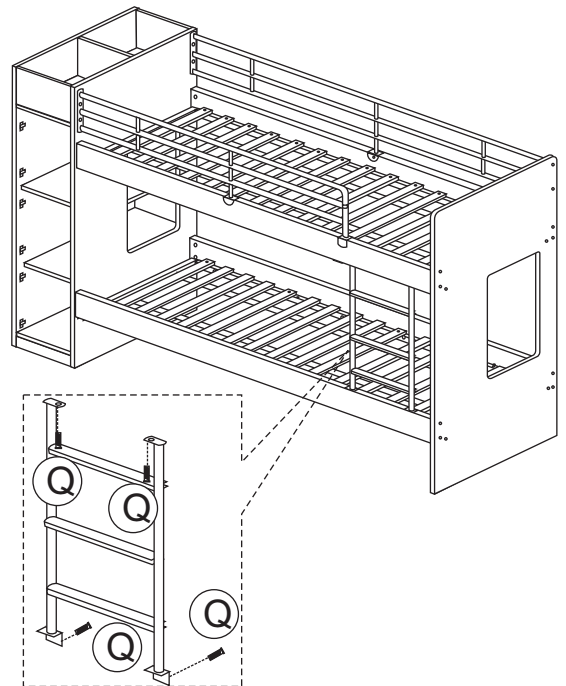


17 **Q**  x 6 **R**  x 9

N  x 3





18 **Q**  x 4

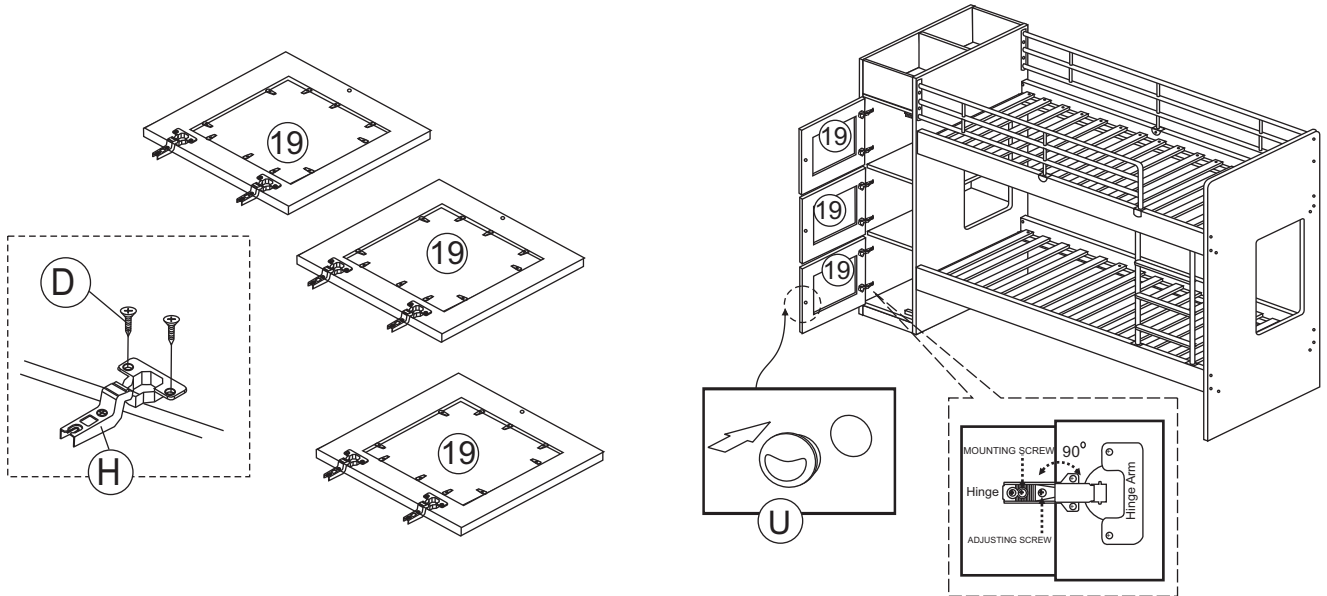





GUIDE TO ASSEMBLY

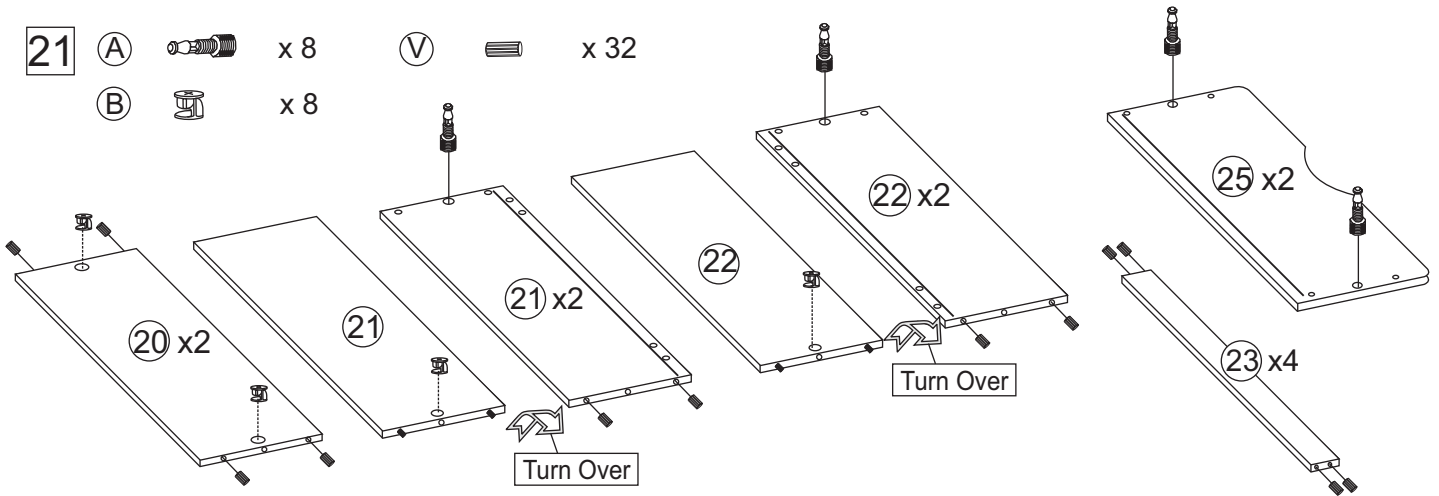
10
11

Model: CK 9907

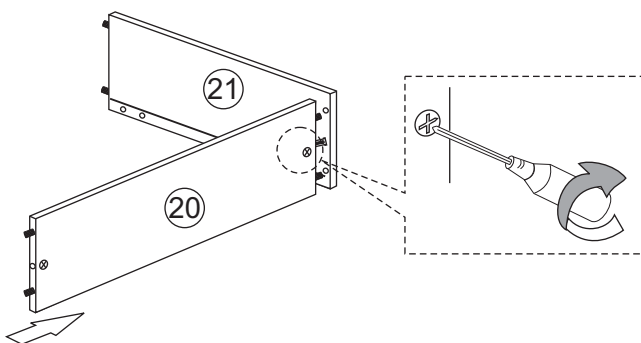
19  x 6  x 12 20  x 3



21  x 8  x 32
 x 8

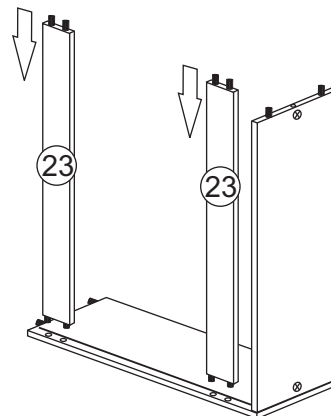


22



Do This Step 2 Times

23

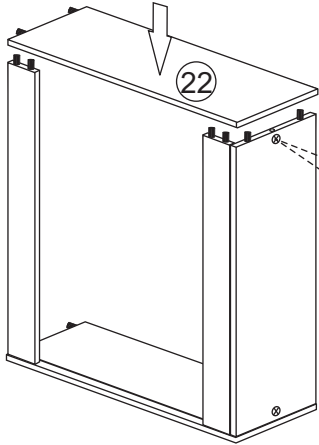


Do This Step 2 Times

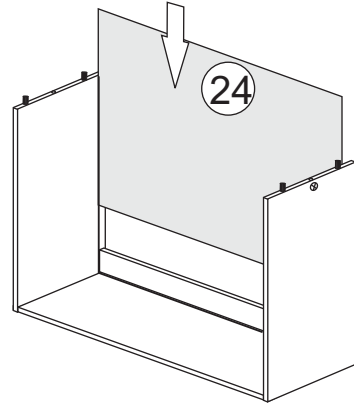
GUIDE TO ASSEMBLY

Model: CK 9907

24



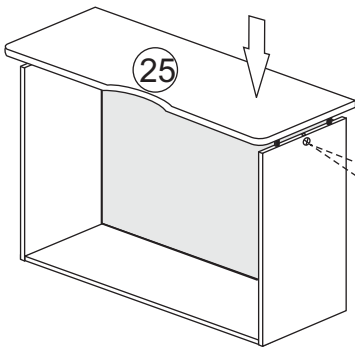
25



Do This Step 2 Times

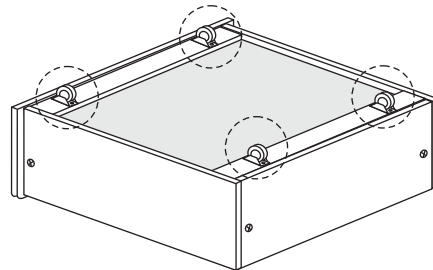
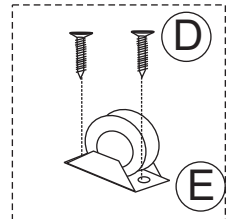
Do This Step 2 Times

26



27

- (E)  x 8
- (D)  x 16



Do This Step 2 Times

Do This Step 2 Times

28

